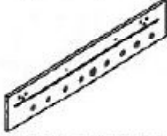
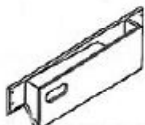
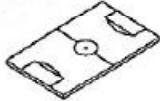



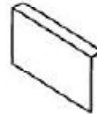



























PARTS LIST

1  Side Apron	2  End Apron x2	3  Soccer Playfield x1	4  Left Leg x2
5  Right Leg x2	6  Support Brace x2	7  End Leg Panel x2	8  Side Leg Panel x2
9  2-Hole Rod x2	10  3-Hole Rod x4	11  5-Hole Rod x2	12  Rod Washer x16
13  Foam Bumper x16	14  Handle x8	15  Rod End Cap x8	16  Scorer x2
17  Player x11	18  Stopper Ring x4	19  Leg Leveler x4	20  Left Apron Corner x2
21  Right Apron Corner x2	22  Soccer Ball x2	23  Player x11	24  Allen Key x1
25  6X35mm Bolt x12	26  Washer x12	27  3.5x35 mm Round Head Screw x12	28  3.5x12 mm Screw x16
29  4 x20 mm Screw x26	30  3.5x 14 mm Flat Head Screw x16	31  M4 Nut x26	32  3.5x18 mm Round Head Screw x 4

ASSEMBLY INSTRUCTIONS:

1. Find a clean, level place to begin the assembly of your Soccer Table Game. We recommend that two adults work together to assemble this Soccer Table game.
2. Remove all the parts from the box and verify that you have all of the listed parts as shown on the parts list page. Carefully cut or tear the four corners of the box so that the bottom of the box can be used as your work surface.

FIG. 1

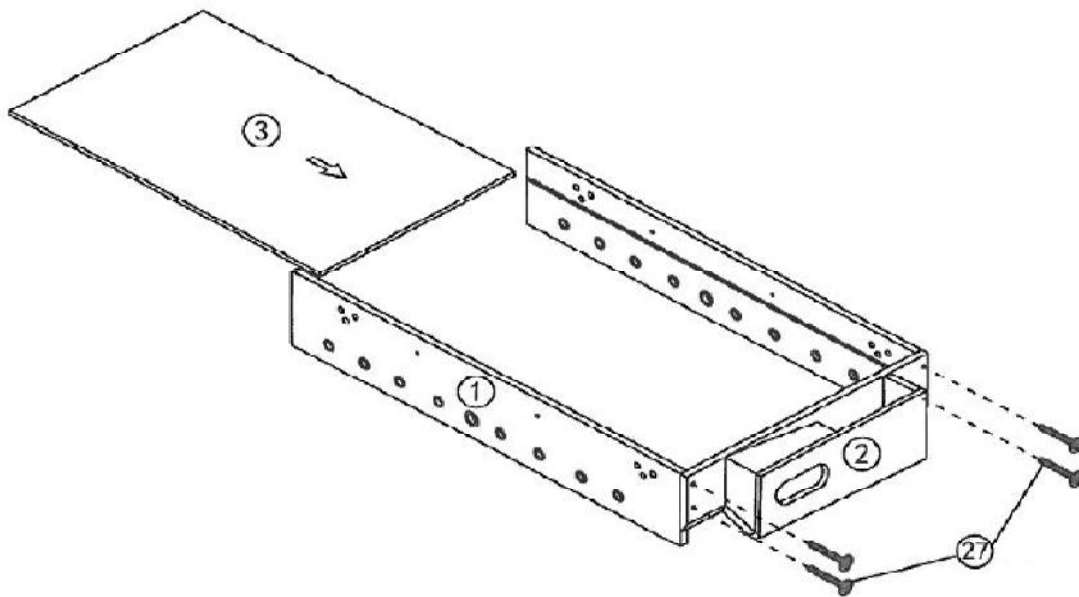


FIG. 1

3. Attach the End Aprons (#2) to the Side Aprons (#1) using four Screws (#27) per End Apron. See FIG. 1.

4. Slide the Playfield (#3), with the graphics facing down, into the grooves of the Side Aprons (#1). See FIG. 1.

FIG. 2

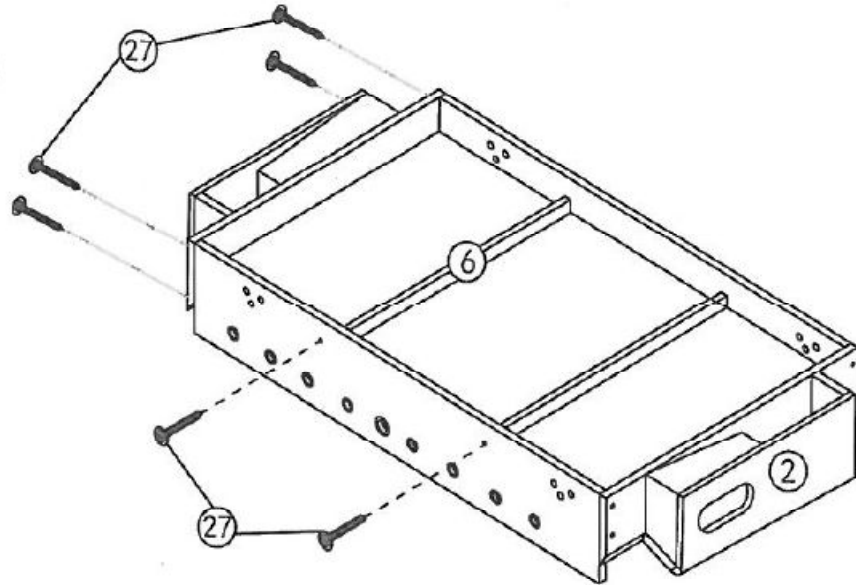


FIG.2

5. Attach the End Aprons (#2) to the Side Aprons (#1) using four Screws (#27) per End Apron. See FIG. 2.

6. Place the Support Braces (#6) on the Playfield (#3) and attach them to the Side Aprons (#1) using two Screws (#27) per Brace. See FIG. 2.

FIG. 3

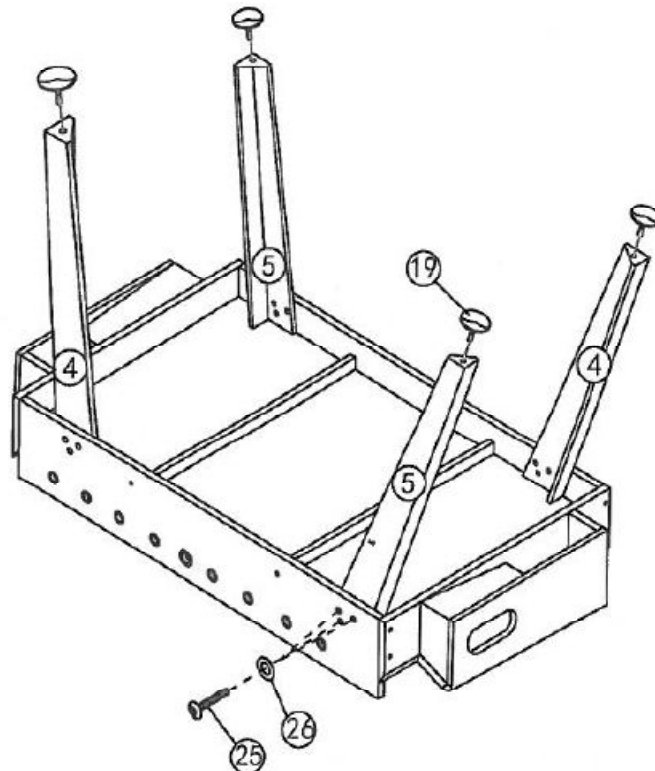


FIG.3

7. Attach the Left and Right Legs (#4 & #5) to the Side Aprons using three Bolts (#25) and three Washers (#26) per Leg. See FIG. 3.

8. Screw the Leg Levelers (#19) into the button of each leg. See FIG. 3.

FIG. 4

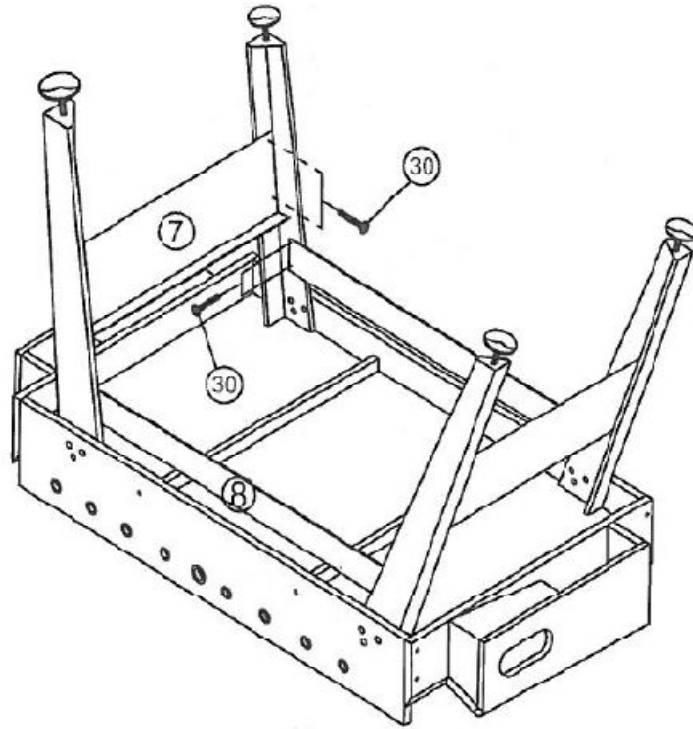
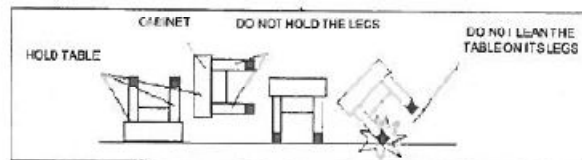


FIG.4

9. Attach the End Leg Panel (#7) to the Legs using four Screws (#30) per End Leg Panel. See FIG. 4.

10. Attach the Side Leg Panel (#8) to the Legs using four Screws (#30) per Side Leg Panel. See FIG. 4



CAUTION: Two strong adults are recommended to turn the table over as shown.

1. Lift the table off the ground
2. Turn the table over.
3. Place it on all four feet at the same time on the ground.

English

FIG. 5

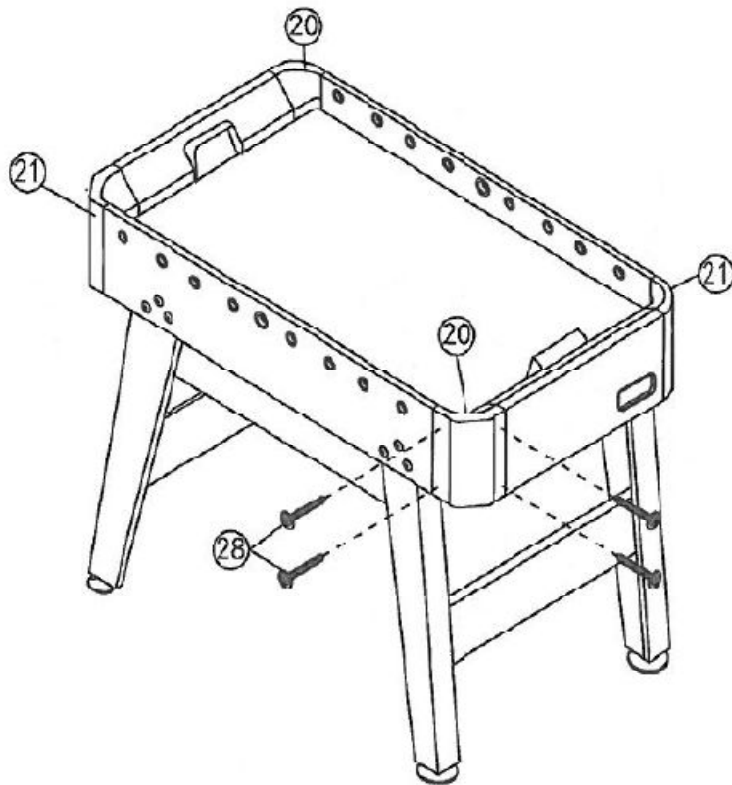


FIG.5

11. Attach the Left and Right Apron Corners (#20 & #21) to the Side Aprons and End Apron using four Screws (#28) per Apron Corner. See FIG. 5.

FIG. 6

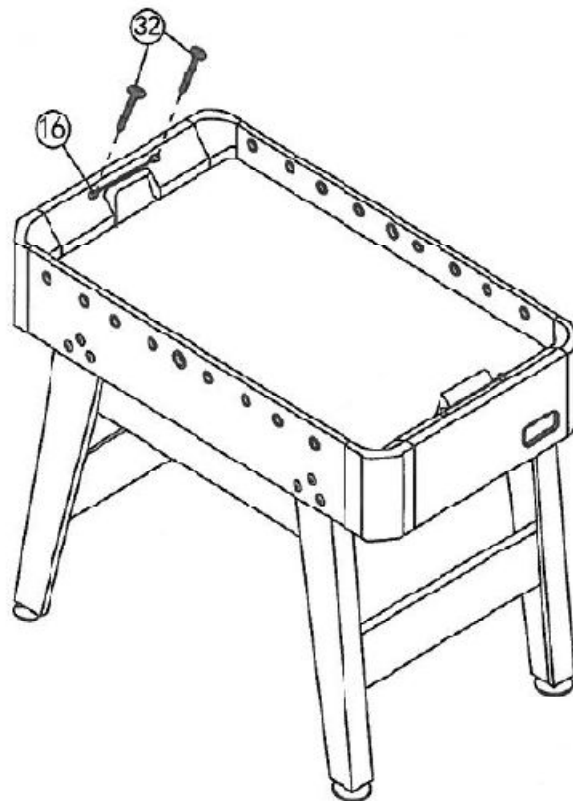
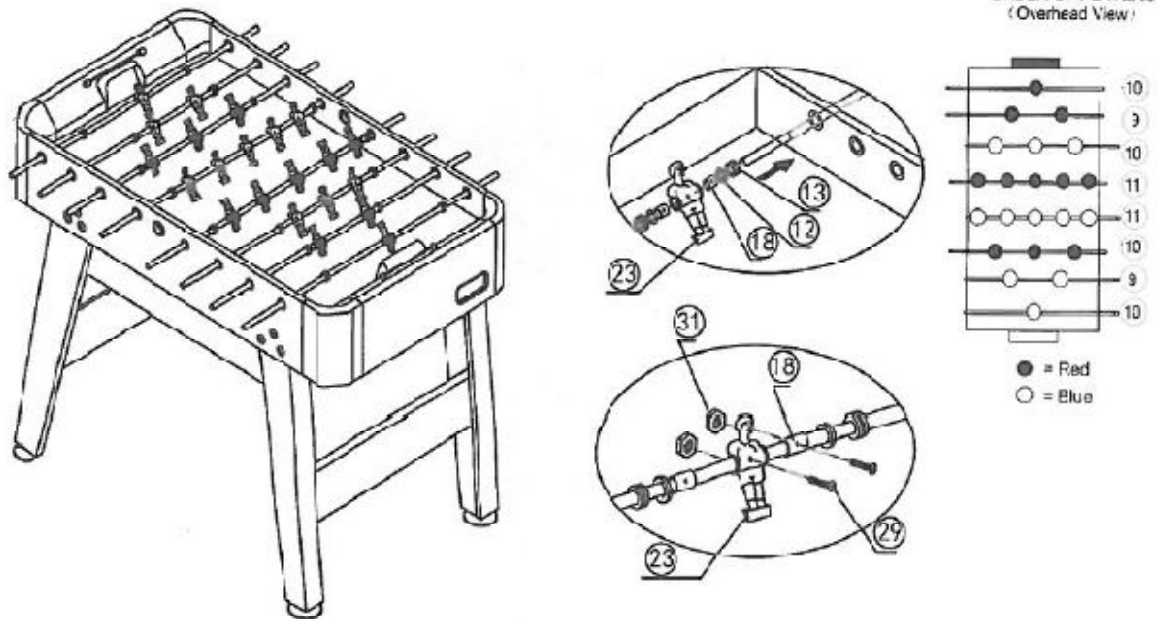


FIG.5

12. Insert the Scorer (#16) to the End Apron (#2) using two Screws (#32) per Scorer. See FIG. 6.

FIG. 7



Note: Players of the same team color should have Handles on the same side, and each team's players should be facing their

FIG.7

13. Slide the Rods (#9-10) through the Rod Bushings (#P1) on one Side Apron (#1) in the order as shown in Fig. 7.

Note: The player Rods have a hole at their end where the Handles will go.

14. Place the Rod Washer (#12), Foam Bumpers (#13) and Players (#23 and #17) onto the Player Rods (#9, #10 and #11) in the order as shown in Fig.7, 7A and 7B.

15. Now insert the Player Rods through the Rod Bushings (#P1) on the opposite Side Apron (#1).

16. Attach the Players (#23 or #17) to the Rods using one Bolt (#29) and Nut (#31) per Player. See FIG. 7B.

Note: The goalie should be at the left side of each player.

FIG. 8

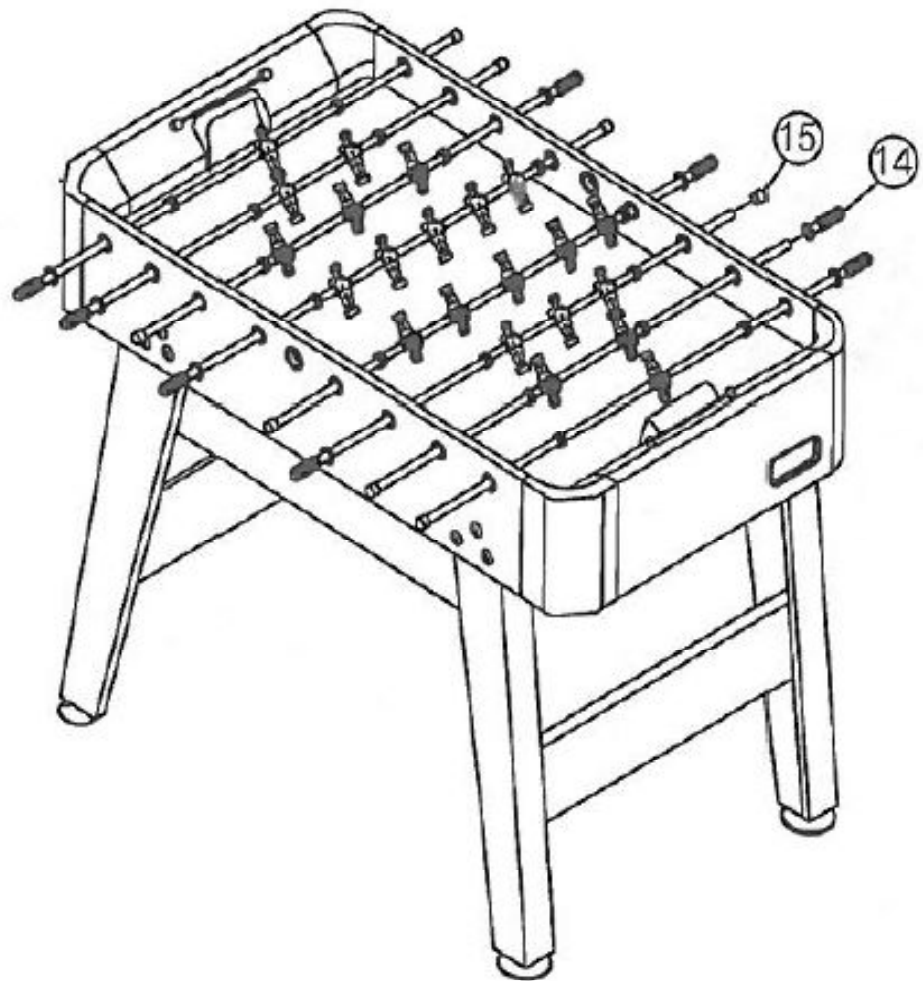


FIG.8

17. Place the Handles (#14) onto the Rods top which has a hole. And then place the Rod End Caps (#15) onto the other side of the Rods. See FIG. 8.

YOU ARE NOW READY TO PLAY!